

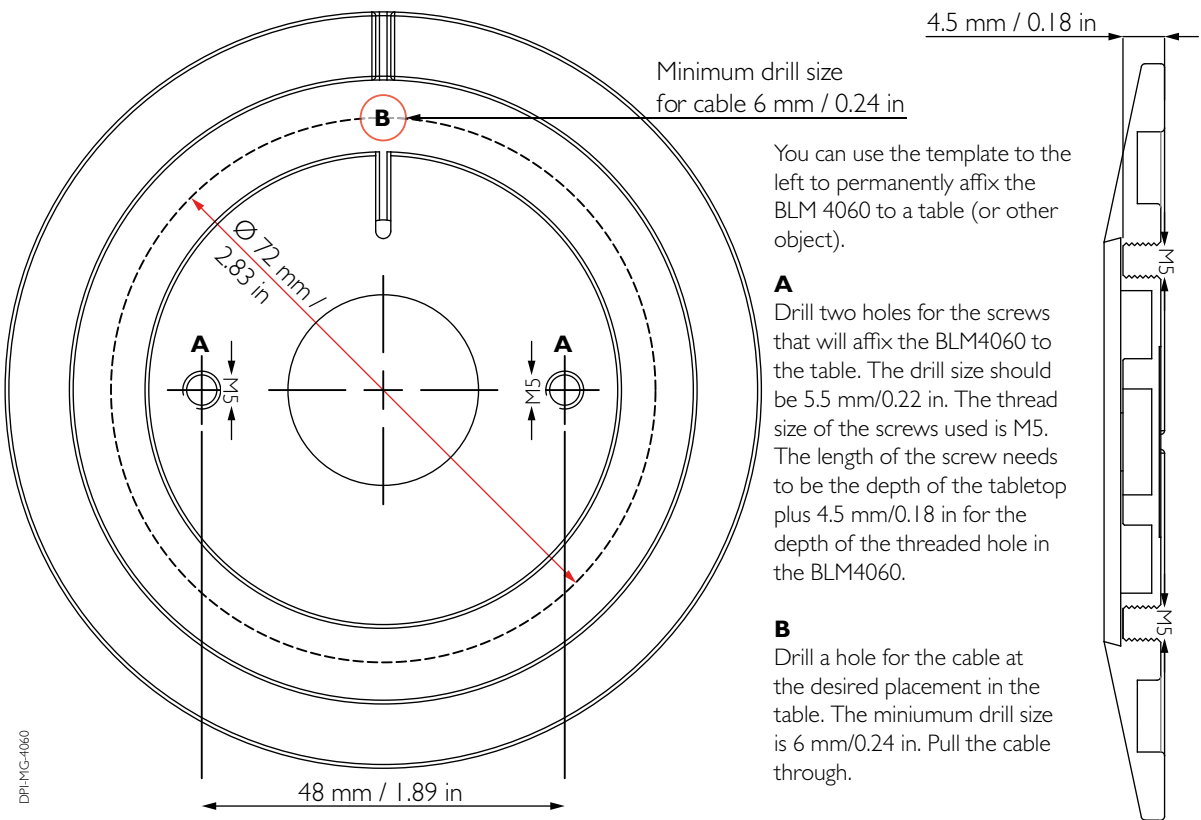


4060

Omni Boundary Layer Mic



Mounting guide



Minimum drill size
for cable 6 mm / 0.24 in

4.5 mm / 0.18 in

You can use the template to the left to permanently affix the BLM 4060 to a table (or other object).

A Drill two holes for the screws that will affix the BLM4060 to the table. The drill size should be 5.5 mm/0.22 in. The thread size of the screws used is M5. The length of the screw needs to be the depth of the tabletop plus 4.5 mm/0.18 in for the depth of the threaded hole in the BLM4060.

B Drill a hole for the cable at the desired placement in the table. The minimum drill size is 6 mm/0.24 in. Pull the cable through.